
Product Data Sheet

HTK95AA K3

Revision 1

(Variant Code 3)

1 Application

Application	Refrigerant	Expansion Device	Cooling Type
LBP	R600a	Capillary	Static

1.1 Application Conditions

Max. Ambient temp.¹	[°C]	43
Max. Steady discharge temp.²	[°C]	120
Max. Peak discharge temp.^{2, 5}	[°C]	135
Max. Steady condensing temp.³	[°C]	60
Max. Peak condensing temp.^{3, 5}	[°C]	70
Max. Winding temp.⁴	[°C]	130

¹...static

²...measured on discharge tube, 50 mm from the shell

³...measured in the middle of condenser

⁴...calculated out of the measured difference of resistance

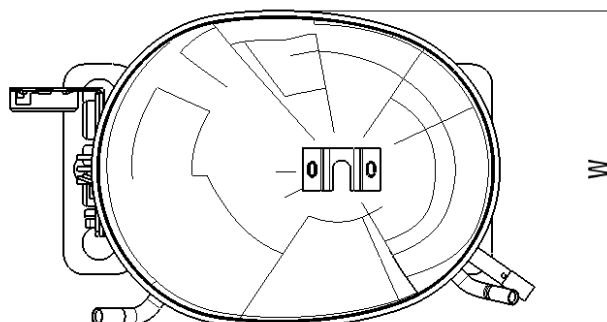
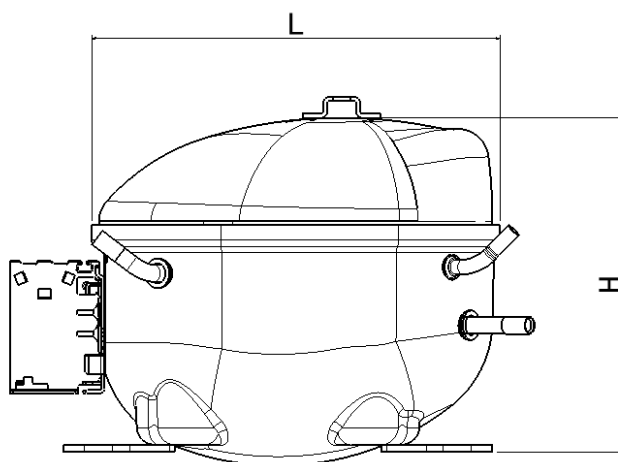
⁵...max 5% of lifetime

Variant code according to Label; see General Product Documentation

2 Mechanical Data

Displacement	[cm³]	9,6
Net Weight¹	[kg]	8,3
Oil Type		mineral
Oil Charge	[ml]	165
Oil Viscosity	[cst]	5
Suction muffler		Semi direct
Free Gas Volume	[cm³]	1600
Length L	[mm]	194,2
Width W	[mm]	151,5
Height H	[mm]	167

¹...Compressor without accessories



3 Electrical Data

Power supply	[V]	220 - 240
Voltage range ¹	[V]	187 - 264
Frequency	[Hz]	50
Phase	[ph]	1
Motor type		RSIR/RSCR
Locked rotor current @ steady state	[A]	4,9
Max. Locked rotor current / measured after 4 sec	[A]	13,8 / 5,8
Main wind. Resistance @ 25°C	[Ω]	19,7
Start wind. Resistance @ 25°C	[Ω]	11,6

¹...Operating and starting (starting condition @ +43°C windings temperature, 3,5 barA equalized pressure)

All data measured according to EN 60335

3.1 Electrical Component Data

Terminal board		ECC
Starting device	Code	K100
PTC	Type	A
Run Capacitor	[μF]	3; 4

3.2 Motor Protector

Motor Protector	BDG	Senbao
Type	AE15BU x	B64-120 x
Code	FC	MD

4 Performance Data

4.1 Cooling Capacity, COP and Input Power

Performance Table Cooling Capacity @ ASHRAE / EN12900 (CECOMAF); 220V, 50Hz; [W]:

Evap. temp. [°C]		-35	-30	-25	-23,3	-20	-15	-10	
Condensing temp. @	ASHRAE [°C]	40	96,1	124,0	159,9	174,0	203,9	255,9	316,0
		45	92,6	121,0	157,4	171,7	201,9	254,4	315,0
		50	89,1	118,0	154,9	169,3	199,9	252,9	314,0
		55	85,6	115,0	154,0	167,0	199,0	252,0	313,0
		60	82,1	112,0	149,9	164,7	195,9	249,9	312,0
	EN12900 (CECOMAF) [°C]	C55	70,0	95,0	126,0	139,0	164,0	207,0	257,0

Performance Table COP without/with RC @ ASHRAE / EN12900 (CECOMAF); 220V, 50Hz; [W/W]:

Evap. temp. [°C]		-35	-30	-25	-23,3	-20	-15	-10	
Condensing temp. @	ASHRAE [°C]	40	1,29 / 1,35	1,56 / 1,62	1,83 / 1,88	1,92 / 1,98	2,09 / 2,15	2,36 / 2,42	2,63 / 2,69
		45	1,24 / 1,30	1,49 / 1,55	1,74 / 1,80	1,82 / 1,88	1,99 / 2,05	2,24 / 2,30	2,49 / 2,55
		50	1,19 / 1,25	1,42 / 1,48	1,65 / 1,72	1,73 / 1,79	1,89 / 1,95	2,12 / 2,18	2,35 / 2,41
		55	1,13 / 1,21	1,35 / 1,42	1,57 / 1,63	1,64 / 1,70	1,78 / 1,84	2,00 / 2,06	2,22 / 2,27
		60	1,08 / 1,16	1,28 / 1,35	1,48 / 1,55	1,55 / 1,61	1,68 / 1,74	1,88 / 1,93	2,08 / 2,13
	EN12900 (CECOMAF) [°C]	C55	0,93 / 0,99	1,12 / 1,17	1,29 / 1,34	1,35 / 1,40	1,47 / 1,52	1,65 / 1,70	1,82 / 1,86

Performance Table Input Power without/with RC @ ASHRAE / EN12900 (CECOMAF); 220V, 50Hz; [W]:

Evap. temp. [°C]		-35	-30	-25	-23,3	-20	-15	-10	
Condensing temp. @	ASHRAE [°C]	40	74,3 / 71,3	79,5 / 76,7	87,6 / 84,9	90,8 / 88,1	97,4 / 94,7	108,5/105,7	120,4/117,5
		45	74,7 / 71,2	81,2 / 78,1	90,5 / 87,5	94,1 / 91,1	101,5 / 98,5	113,6/110,6	126,5/123,5
		50	75,1 / 71,1	83,1 / 79,5	93,7 / 90,3	97,7 / 94,4	105,9/102,7	119,3/116,1	133,3/130,3
		55	75,6 / 71,0	85,2 / 81,1	97,3 / 93,5	101,8 / 98,1	110,9/107,4	125,6/122,3	141,0/137,9
		60	76,2 / 70,9	87,6 / 82,8	101,3 / 97,0	106,3/102,1	116,5/112,6	132,7/129,2	149,7/146,6
	EN12900 (CECOMAF) [°C]	C55	75,6 / 71,0	85,2 / 81,1	97,3 / 93,5	101,8 / 98,1	110,9/107,4	125,6/122,3	141,0/137,9

Test Conditions @ 220V/50Hz		ASHRAE	EN12900 (CECOMAF)
Evaporating temp.	[°C]	-23,3	-25
Condensing temp.	[°C]	55	55
Sub cooling temp.	[°C]	32	55
Suction temp.	[°C]	32	32
Ambient temp.	[°C]	32	32

Tolerance Range:

COP	± 5%
Cooling Capacity	± 5%

4.2 Rated current @ 55°C condensing temperature

Evaporating temperature	[°C]	-30	-23,3	-10
Rated current with RC	[A]	0,40	0,48	0,64
Rated current without RC	[A]	0,60	0,67	0,80

5 Reliability Tests

High Temperature CECOMAF GT4 – 002	passed
Wear CECOMAF GT4 – 003	passed
On – Off CECOMAF GT4 – 004	passed
Transport test ASTM D4728	passed